



SURFACE MOUNT BASIC



FEATURES

- Long life electronics
- Low energy consumption
- High Quality Lithium battery (LiFePO₄)
- High ambient temperature rating (40°C)
- Wall, ceiling and rod mounting (with Rod Mount Kit)



ENVIRONMENT

Using environmentally friendly Lithium batteries



CORRIDOR LENS

Snap-on lens to suit escape route lighting



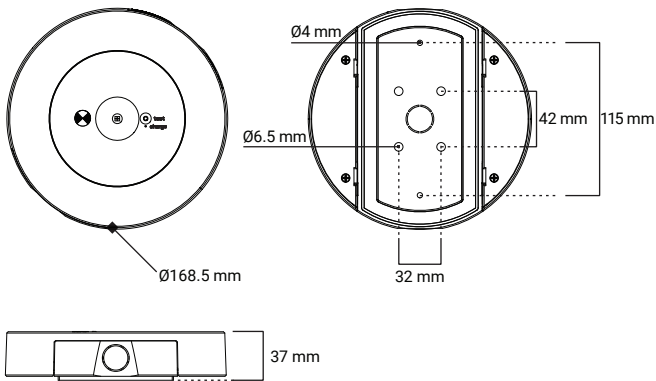
SINGLE POINT UNIT

Ektor products work as SPUs out of the box



WIDE AREA LENS

Snap-on lens to suit open plan areas



PRODUCT RANGE

ORDER CODE	QTY
EV-LEDFIRE-SM-BASIC-W-INT Ledfire Surface Mount Basic Emergency Luminaire	8

FEATURES

- Long life electronics
- Low energy consumption
- Emergency output 250 lm
- Compliant emergency luminaire
- High Quality Lithium battery (LiFePO₄)
- High ambient temperature rating (40°C)
- 4 Years Design Life – 35,000 hours at max. ambient*
- Wide Area and Corridor mode snap-on lenses available

*Excludes battery

ACCESSORY RANGE

ORDER CODE	DESCRIPTION
EV-RODMOUNT-WHT	White Rod Mount Kit
ZC-BATT-3000MAH-1	zencontrol - 3000mAH 3.2V 1 Cell LiFePO ₄ Battery

OPERATIONAL INFORMATION

GENERAL

Voltage	~220 - 240V
Frequency	50Hz
Ambient temp.	40°C
Class	2
Wiring	Terminal block (1-16 mm □)
Mounting type	Surface / suspended (Rod Mount Kit available)
IP rating	IP20
LED wattage	1.5 W
Avg. circuit power	0.4 W
Max. circuit power	2 W

EMERGENCY

Rated duration	3 hours
Rated lumens	150 lm

COMPLIANCE

Standards	IEC 60598-2-22 CISPR 15 EMC-2004/108/EC LVD-2006/95/EC
-----------	---

BATTERY		CHARGE	
Type	LiFePO ₄	Type	Variable
Voltage	3.2 V	Time	16 Hours
Code	zc-batt-3000mah-1		

CONSTRUCTION

Body	PC
Fixing centres	115 mm

NOTE: For more information on the chemical resistance of our polycarbonate, please see our website.

Datasheet is subject to change without notice, E&OE
Last updated: 26 October 2018 _V2.1