



LED FIRE LITE



FEATURES

- Long life electronics
- Low energy consumption
- Compliant emergency luminaire
- Emergency output 250 lm
- Includes outer ring to suit hole sizes up to 130 mm
- High Quality Lithium battery (LiFePO₄)
- High ambient temperature rating (40°C)



CORRIDOR LENS

Snap-on lens to suit escape route lighting



WIDE AREA LENS

Snap-on lens to suit open plan areas



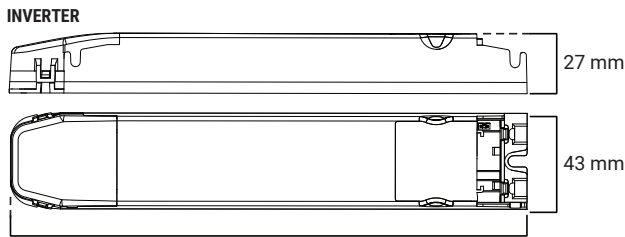
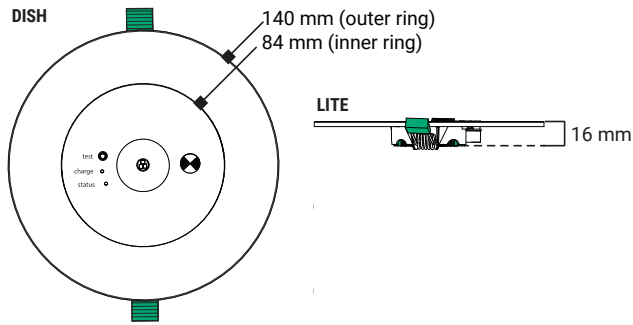
ENVIRONMENT

Using an environmentally friendly Lithium battery



SINGLE POINT UNIT

Ektor products work as SPUs out of the box



PRODUCT RANGE

ORDER CODE	QTY
EK-LED FIRE-LITE-INT Ledfire Lite Emergency Luminaire	4
EK-LED FIRE-LITE-B-INT Ledfire Lite Black Emergency Luminaire	4

FEATURES

- Long life electronics
- Low energy consumption
- Emergency output 250 lm
- Compliant emergency luminaire
- High Quality Lithium battery (LiFePO₄)
- High ambient temperature rating (40°C)
- Non-maintained or maintained operation
- Includes outer ring to suit hole sizes up to 130 mm
- 5 Years Design Life – 50,000 hours at max. ambient*
- Wide Area and Corridor mode snap-on lenses available

*Excludes battery

OPERATIONAL INFORMATION

GENERAL

Voltage	~230V
Frequency	50Hz
Ambient temp.	0 - 40°C
Class	2
Wiring	Soft wiring
Mounting type	Recessed
IP rating	IP20
LED wattage	2.7 W
Avg. circuit power	0.45 W
Max. circuit power	2.5 W

EMERGENCY

Rated duration	3 hours
Rated lumens	250 lm

COMPLIANCE

Standards	IEC 60598-2-22 CISPR 15 EMC-2004/108/EC LVD-2006/95/EC
-----------	---

BATTERY		CHARGE	
Type	LiFePO ₄	Type	Variable
Voltage	6.4 V	Time	16 Hours

Code	zc-batt-1500mah
------	-----------------

CONSTRUCTION

Body	PC
Dish	PC
Cut out	70 mm inner / 75 - 130 mm outer ring

NOTE: For more information on the chemical resistance of our polycarbonate, please see our website.

ACCESSORY RANGE

ORDER CODE	DESCRIPTION
ZC-BATT-1500MAH	zencontrol 1500mAh 6.4V 2 Cell LiFePO ₄ battery

Datasheet is subject to change without notice, E&OE
Last updated: 27 September 2018 _V2.1