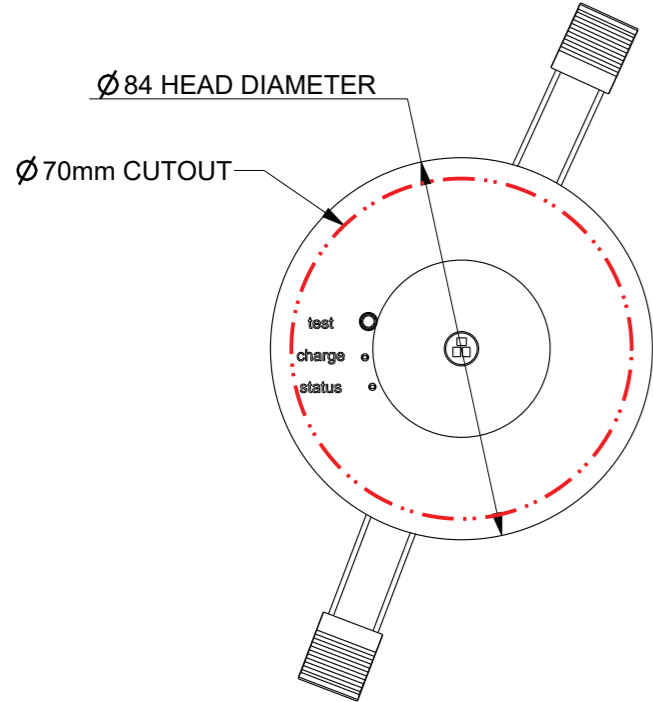
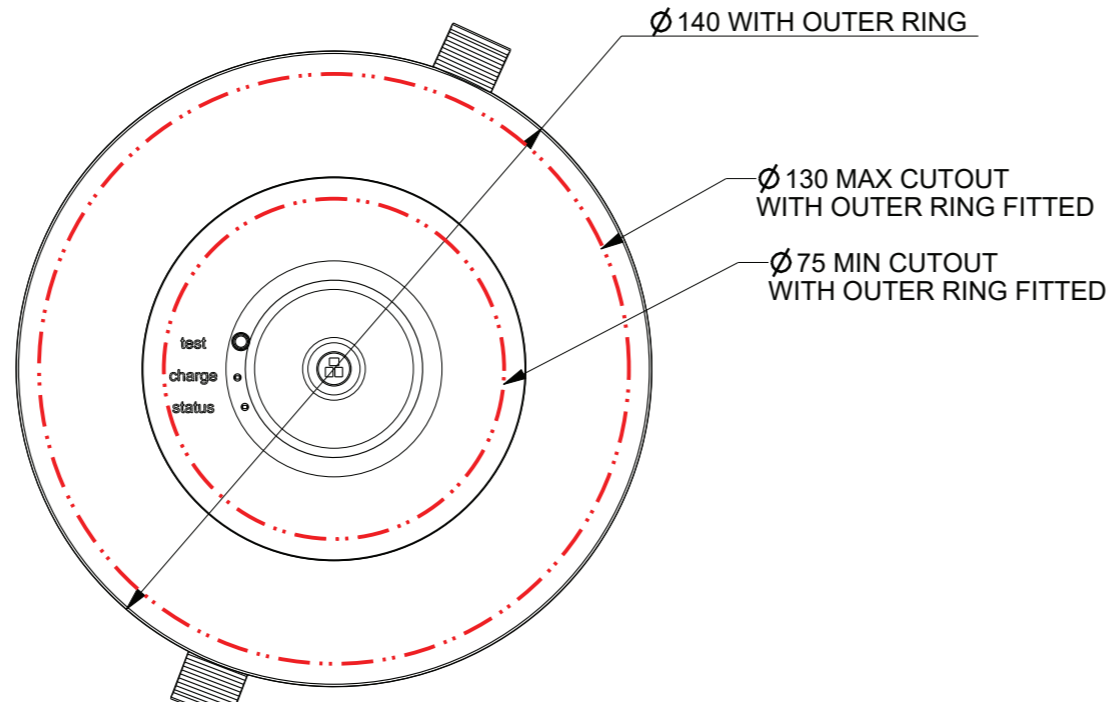


(1693,1694,1697,1695)

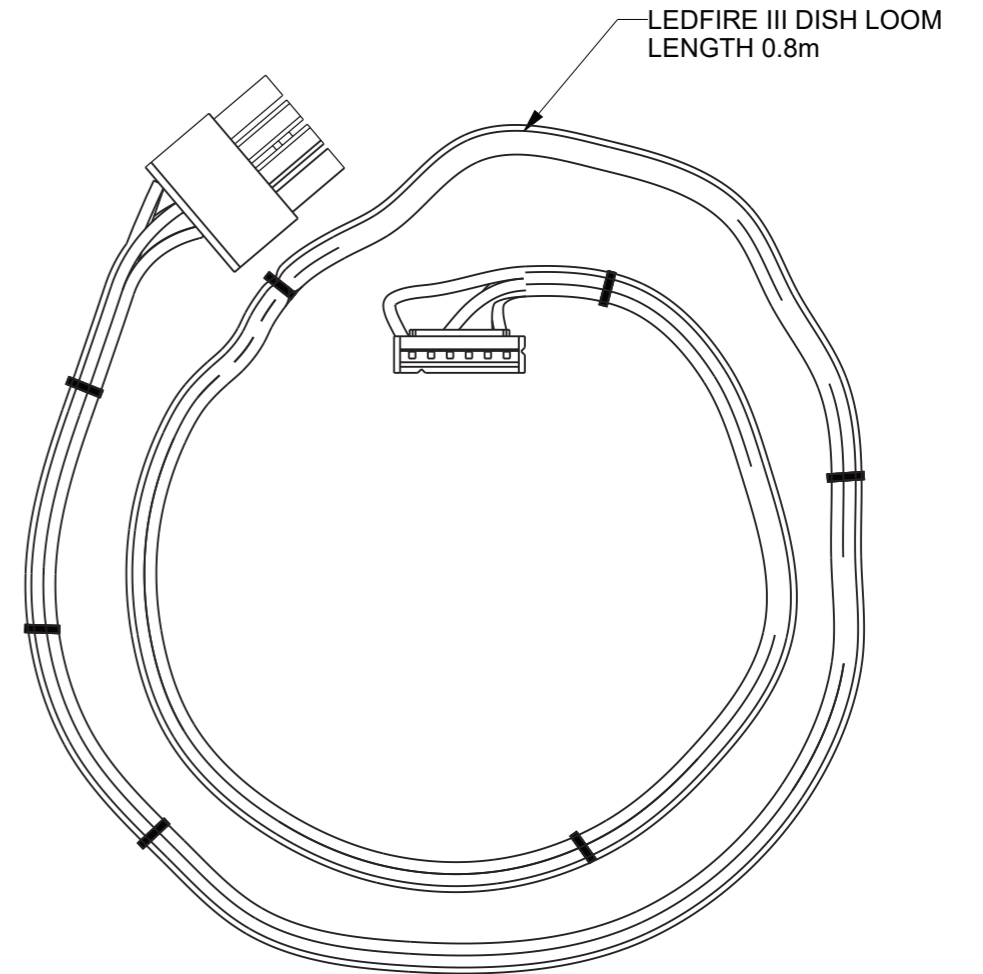
THIS DRAWING AND SPECIFICATIONS HEREIN ARE THE PROPERTY OF zencontrol Ltd.
AND SHALL NOT BE REPRODUCED, COPIED, OR USED IN WHOLE OR PART AS THE BASIS
FOR THE MANUFACTURE OR SALE OF ITEMS WITHOUT WRITTEN PERMISSION FROM WWW.ZENCONTROL.COM



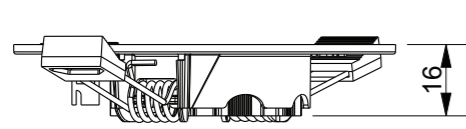
LEDFIRE III DISH WITHOUT OUTER RING



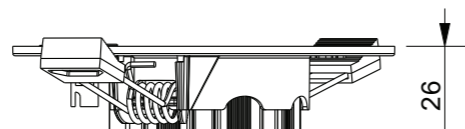
LEDFIRE III DISH WITH OUTER RING



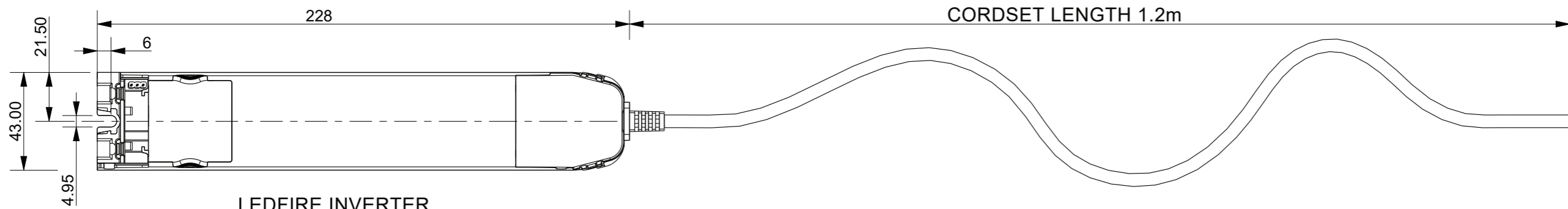
LEDFIRE III DISH LOOM
LENGTH 0.8m



LEDFIRE DISH



LEDFIRE PRO DISH



LEDFIRE INVERTER

23722	1.0	Initial Release	BRT	JN	28/04/2015
C/N No.	REV	DESCRIPTION	DWN	CKD	DATE



www.ektor.com

TOLERANCES & GENERAL INFORMATION (Unless otherwise stated)
ALL DIMENSIONS IN mm, ALL UNSPECIFIED TOLERANCES Refer to
TOLERANCE TABLE, DO NOT SCALE, UNCONTROLLED IF PRINTED



DRAWING NOT TO SCALE

MATERIAL:

FINISH: , see notes.

Title

LEDFIRE DISH (1693,1694,1697,1695)

DRG No

(1693,1694,1697,1695)

© COPYRIGHT zencontrol,2018

A3 SHEET 1 OF 1