



# LED FIRE

A NEW ERA OF EMERGENCY MONITORING AND TESTING



## FEATURES

- Long life electronics
- Compliant emergency luminaire
- Emergency output 260 lm
- High Quality Lithium batteries (LiFePO<sub>4</sub>) and smart charger
- Includes outer ring to suit hole sizes up to 130 mm
- Fast emergency switch-over (<0.5s) for high task areas
- **Wide Area** and **Corridor mode** snap-on lenses available



## SELF TEST

Commission the product to perform its own tests



## DALI CERTIFIED

Connect to a DALI system for DALI testing



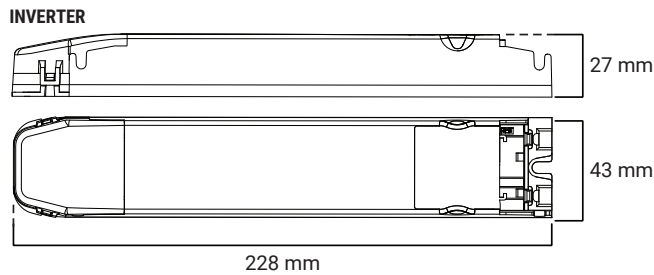
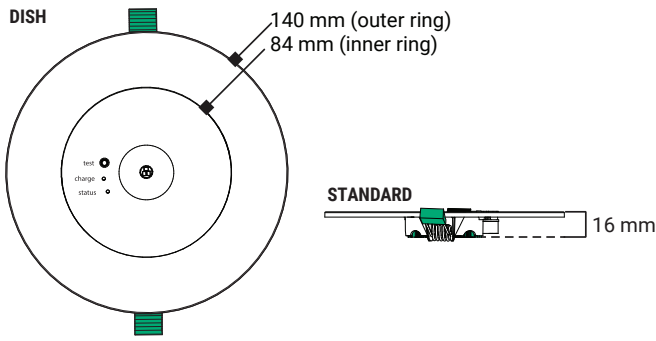
## SINGLE POINT UNIT

Ektor products work as SPUs out of the box



## WIRELESS UPGRADE

Automatically test and sync data to the Cloud



PRODUCT RANGE	
ORDER CODE	QTY
EV-LED FIRE-INT Ledfire Emergency Luminaire	4

#### FEATURES

- Long life electronics
- Low energy consumption
- Emergency output 260 lm
- Compliant emergency luminaire
- High ambient temperature rating (40°C)
- Non-maintained or maintained operation
- Includes outer ring to suit hole sizes up to 130 mm
- Wide Area and Corridor mode snap-on lenses available
- Fast emergency switch-over (<0.5s) for high task areas
- 10 Years Design Life – 100,000 hours at max. ambient\*
- High Quality Lithium battery (LiFePO<sub>4</sub>) and smart charger
- Selectable discharge rating 1/2/3/4 hrs for hazardous areas

\*Excludes battery

ACCESSORY RANGE	
ORDER CODE	DESCRIPTION
EV-CMS-2.4M-5PIN	CMS 5 Pin Plug Set, 2.4M
EV-WAGO-2.4M-F&P	WAGO Plug 5-P Blue 51110475, 2.4M
EV-WIELAND-2.4M-F&P	Wieland Plug GST1815S B1 ZR1 S PB02, 2.4M
EV-WIREDBYCLICK-2.4M-F&P	Wire By Click 5-Pin Lead L1025/5, 2.4M
EV-CMS-2.4M-6PIN	CMS 6 Pin Plug Set, 2.4M
EV-DALI-JB	DALI Cable and Junction box, 2.4M
ZC-BATT-1500MAH	zencontrol 1500mAH 6.4V 2 Cell LiFePO <sub>4</sub> Battery
ZC-WIFI	zencontrol Wi-Fi Expansion Module

## OPERATIONAL INFORMATION

GENERAL	
Voltage	220~240V
Frequency	50Hz
Ambient temp.	0 - 40°C
Class	2
Wiring	Soft wiring
Mounting type	Recessed
IP rating	IP20

EMERGENCY	
Rated duration	3 hours
Optional duration	1 / 2 / 3 / 4 hours (dependant on jumpers)
Rated lumens	260 lm
Emergency testing	Standalone Self test Wi-Fi Self test DALI Self test

COMPLIANCE	
Standards	IEC 60598-2-22 CISPR 15 IEC 62034 IEC 62386-201 EMC-2004/108/EC LVD-2006/95/EC

BATTERY		CHARGE	
Type	LiFePO <sub>4</sub>	Type	Smart charge
Voltage	6.4 V	Time	16 Hours
Code	zc-batt-1500mah	Operation	Multi-state

CONSTRUCTION	
Body	PC
Dish	PC
Cut out	70 mm (inner ring) / 75 - 130 mm (outer ring)

**NOTE:** For more information on the chemical resistance of our polycarbonate, please see our website.

## TOTAL POWER CONSUMPTION (TPC)

NON-MAINTAINED MODE	
MAX.	AVG.
3 W	< 0.25 W

Datasheet is subject to change without notice, E&OE  
Last updated: 27 September 2018 \_V2.3