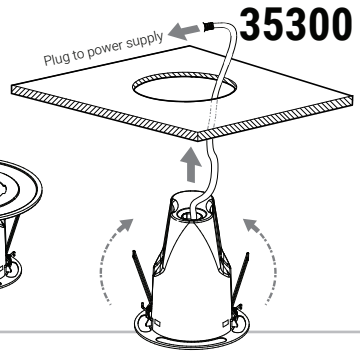
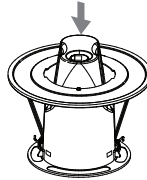


EV-LED-FIRE-BASIC-INT

Remove the product from the box and inspect it for any damage. If you believe the product to be damaged or otherwise unsound, **DO NOT** install the product. Please pack it back into its box and return it to the place of purchase for replacement. If the product is satisfactory, proceed with the installation.



SPECIFICATIONS

Voltage	~230 V
Frequency	50 Hz
Max. ambient temp.	40°C
Class	2
Duration	90 min
IP rating	IP20
Mounting type	Recessed mount
Wiring	Flex and Plug
Battery spec	3.2V 1500mAh
Battery type	LiFePO ₄
Charging time	16 hours
Charger type	Variable
Cut out size with outer ring	ø 75 mm - 130 mm
Cut out size without outer ring	ø 70 mm - 80 mm
Avg. power consumption	0.45 W
Max. power consumption	2 W

SAFETY WARNINGS

1. This product must only be installed by a licensed electrician.
2. Before commencing installation turn off and isolate the electrical supply.
3. Do not energise with product open or disassembled.
4. Supply voltages within product. Isolate supply voltages before opening or servicing.
5. There are no user saable parts.
6. Do not attempt to service other parts as this will void the warranty
7. As the installer, it is your responsibility to ensure you comply to all relevant building and safety codes. For example the BCA, AS3000. Refer to application standards for the relevant rules.