



CLAYMORE PRO IP65

A NEW ERA OF EMERGENCY MONITORING AND TESTING



EMERGENCY
MODELS

FEATURES

- IP65 rated
- Vandal resistant
- Compliant lighting
- Corridor mode available
- High efficiency LED strips
- Fully DALI dimmable (DT6, DT1)
- Microwave Sensor model available
- Wi-Fi upgrade allows for automatically testing and syncing
- Premium Lithium batteries (LiFePO₄) and smart charger



DIMMABLE

LED dimmable lighting
controlled by DALI driver



CORRIDOR MODE

Dims to comfort level for
corridors and car parks



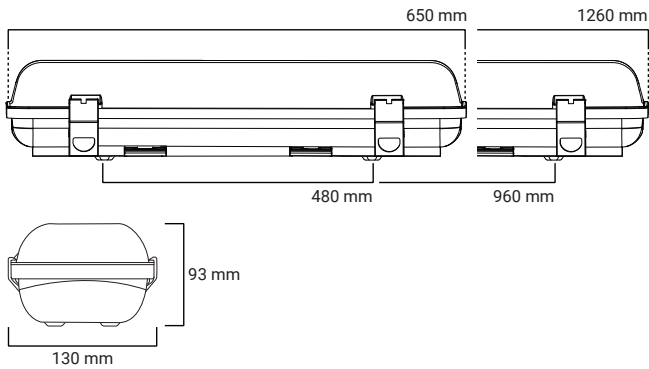
SELF TEST

Commission the product
to perform its own tests



DALI CERTIFIED

Connect to a DALI
system for DALI testing



PRODUCT RANGE

ORDER CODE	QTY
EV-CLAYMORE-600-WP-PRO-EM Pro 600 mm IP65 Emergency Batten	4
EV-CLAYMORE-600-WP-PRO-EM-S Pro 600 mm IP65 Emergency Batten w. Sensor	4
EV-CLAYMORE-1200-WP-PRO-EM Pro 1200 mm IP65 Emergency Batten	4
EV-CLAYMORE-1200-WP-PRO-EM-S Pro 1200 mm IP65 Emergency Batten w. Sensor	4

FEATURES

- IP65 rated
- Vandal resistant
- Compliant lighting
- Corridor mode available
- High efficiency LED strips
- Fully DALI dimmable (DT6, DT1)
- Microwave Sensor model available
- Wi-Fi upgrade allows for automatically testing and syncing
- Premium Lithium batteries (LiFePO₄) and smart charger

OPERATIONAL INFORMATION

GENERAL

Voltage	220~240V
Frequency	50Hz
Ambient temp.	40°C
Class	1
Wiring	Terminal block (1-16 mm □)
Mounting type	Surface
IP rating	IP65
Colour temperature	4000K

LED WATTAGE

600 mm	20 W
1200 mm	40 W

EMERGENCY

Rated duration	3 hours
Optional duration	1 / 2 / 3 / 4 / 8 hours (dependant on jumpers)
Emergency testing	Standalone Self test Wi-Fi Self test DALI Self test

COMPLIANCE

Standards	IEC 60598-2-22 CISPR 15 IEC 62034 IEC 62386-201 EMC-2004/108/EC LVD-2006/95/EC
-----------	---

BATTERY		CHARGE	
Type	LiFePO ₄	Type	Smart charge
Voltage	6.4 V	Time	16 Hours
600 mm	zc-batt-1500mah	Operation	Variable
1200 mm	zc-batt-3000mah		

CONSTRUCTION

Body	PC
Diffuser	PC
Gear tray	Powder coated steel

NOTE: For more information on the chemical resistance of our polycarbonate, please see our website.

ACCESSORY RANGE

ORDER CODE	DESCRIPTION
ZC-BATT-3000MAH	zencontrol - 3000mAH 6.4V 2 Cell LiFePO ₄ Battery
ZC-BATT-1500MAH	zencontrol - 1500mAH 6.4V 2 Cell LiFePO ₄ Battery
ZC-MW-BATTEN	zencontrol - Microwave sensor 12 m, batten kit, IP65
ZC-WIFI	zencontrol - Wi-Fi Expansion Module
ZC-ECM-DALI	zencontrol - Easy Commissioning Module