



CLAYMORE IP65



NON-EMERGENCY
MODEL

FEATURES

- Compliant lighting
- Long life electronics
- Corridor mode available
- Low energy consumption
- High efficiency LED strips
- Microwave Sensor model available



VANDAL RESISTANT

Available with fixed screw latches to reduce tampering



WEATHERPROOF

For those tougher, more demanding environments



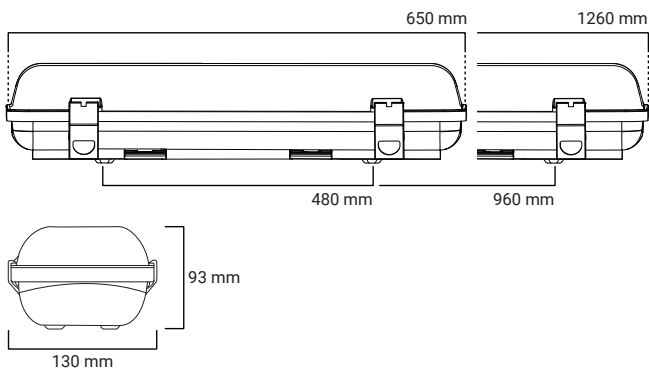
CORRIDOR MODE

Dims to comfort level for corridors and car parks



SENSOR

DALI Microwave Sensor model available



PRODUCT RANGE

ORDER CODE	QTY
EV-CLAYMORE-600-WP Basic 600 mm IP65 Emergency Batten	4
EV-CLAYMORE-600-WP-S Basic 600 mm IP65 Emergency Batten w. Sensor	4
EV-CLAYMORE-1200-WP Basic 1200 mm IP65 Emergency Batten	4
EV-CLAYMORE-1200-WP-S Basic 1200 mm IP65 Emergency Batten w. Sensor	4

FEATURES

- IP65 rated
- Vandal resistant
- Compliant lighting
- Long life electronics
- Corridor mode available
- Low energy consumption
- High efficiency LED strips
- Microwave Sensor model available

OPERATIONAL INFORMATION

GENERAL

Voltage	220~240V
Frequency	50Hz
Ambient temp.	40°C
Class	1
Wiring	Terminal block (1-16 mm \square)
Mounting type	Surface
IP rating	IP65
Colour temp.	4000K

LED WATTAGE

600 mm	20 W
1200 mm	40 W

COMPLIANCE

Standards	IEC 60598-2-22 CISPR 15 EMC-2004/108/EC LVD-2006/95/EC
-----------	---

CONSTRUCTION

Body	PC
Diffuser	PC
Gear tray	Powder coated steel

NOTE: For more information on the chemical resistance of our polycarbonate, please see our website.

ACCESSORY RANGE

ORDER CODE	DESCRIPTION
ZC-BATT-3000MAH	zencontrol - 3000mAH 6.4V 2 Cell LiFePO ₄ Battery
ZC-BATT-1500MAH	zencontrol - 1500mAH 6.4V 2 Cell LiFePO ₄ Battery
ZC-MW-BATTEN	zencontrol - Microwave sensor 12 m, batten kit, IP65
ZC-WIFI	zencontrol - Wi-Fi Expansion Module
ZC-ECM-DALI	zencontrol - Easy Commissioning Module

Datasheet is subject to change without notice, E&OE
Last updated: 29 October 2018 _V2.1